

# PRODUCT INFORMATION PACKET

Model No: 056T17W99034

Catalog No: N470B

2 HP Washdown Motor, 3 phase, 1800 RPM, 230/460 V, 56C Frame, TEFC  
Washdown Duty Motors





### Nameplate Specifications

Output HP	<b>2 Hp</b>	Output KW	<b>1.5 kW</b>
Frequency	<b>60 Hz</b>	Voltage	<b>230/460 V</b>
Current	<b>5.8/2.9 A</b>	Speed	<b>1745 rpm</b>
Service Factor	<b>1.15</b>	Phase	<b>3</b>
Efficiency	<b>86.5 %</b>	Power Factor	<b>75.6</b>
Duty	<b>Continuous</b>	Insulation Class	<b>F</b>
Design Code	<b>B</b>	KVA Code	<b>L</b>
Frame	<b>56C</b>	Enclosure	<b>Totally Enclosed Fan Cooled</b>
Thermal Protection	<b>No</b>	Ambient Temperature	<b>40 °C</b>
Drive End Bearing Size	<b>6205</b>	Opp Drive End Bearing Size	<b>6203</b>
UL	<b>Recognized</b>	CSA	<b>Y</b>
CE	<b>Y</b>	IP Code	<b>56</b>

### Technical Specifications

Electrical Type	<b>Squirrel Cage Inverter Rated</b>	Starting Method	<b>Line Or Inverter</b>
Poles	<b>4</b>	Rotation	<b>Reversible</b>
Resistance Main	<b>6 Ohms</b>	Mounting	<b>Round</b>
Motor Orientation	<b>Horizontal</b>	Drive End Bearing	<b>Ball</b>
Opp Drive End Bearing	<b>Ball</b>	Frame Material	<b>Stainless Steel</b>
Shaft Type	<b>NEMA 56</b>	Overall Length	<b>13.19 in</b>
Frame Length	<b>8.25 in</b>	Shaft Diameter	<b>0.625 in</b>
Shaft Extension	<b>2.07 in</b>	Assembly/Box Mounting	<b>F1 ONLY</b>
Outline Drawing	<b>028943-825</b>	Connection Drawing	<b>005010.01ME</b>

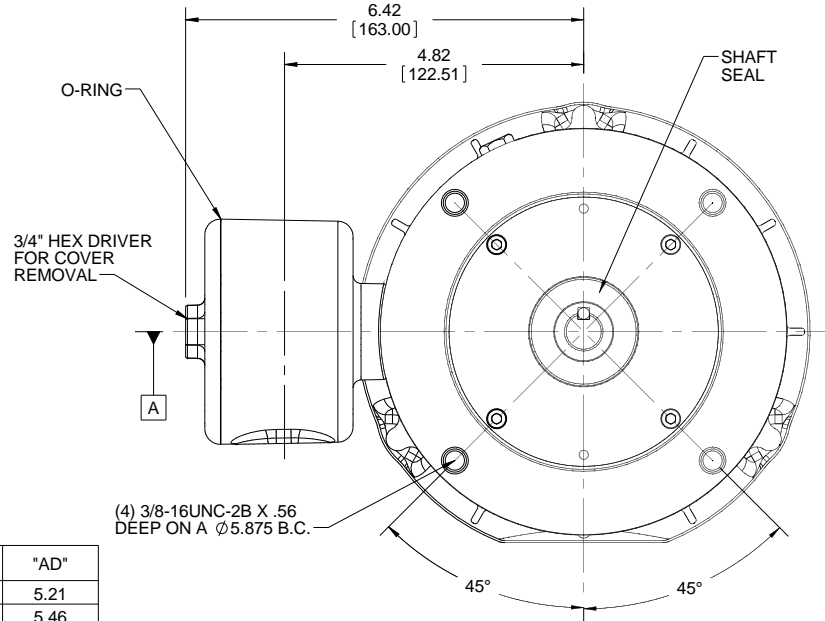
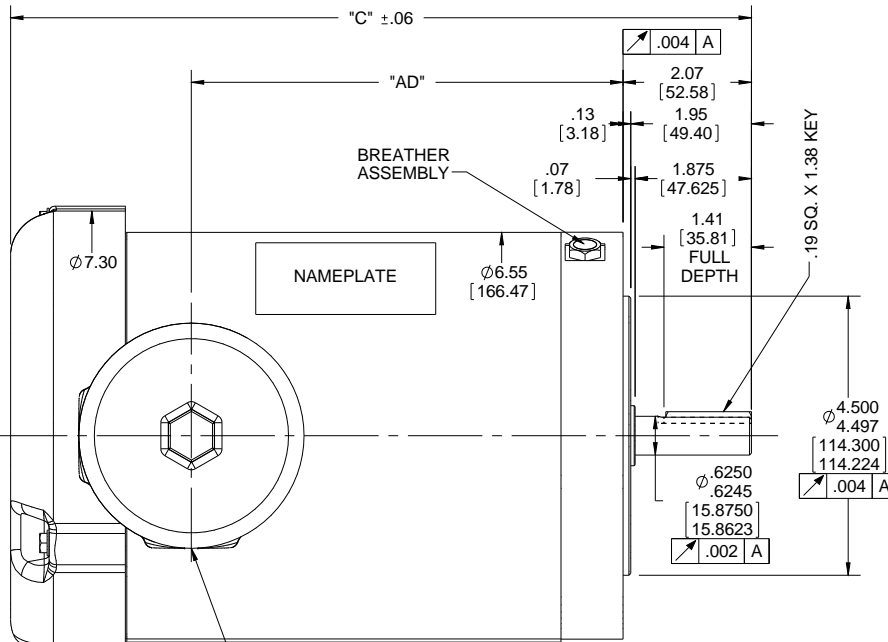
This is an uncontrolled document once printed or downloaded and is subject to change without notice. Date Created:14/10/2020

4

3

2

1



DASH NO.	"C"	"AD"
525	10.19	5.21
550	10.44	5.46
575	10.69	5.71
600	10.94	5.96
625	11.19	6.21
650	11.44	6.46
675	11.69	6.71
700	11.94	6.96
725	12.19	7.21
750	12.44	7.46
775	12.69	7.71
800	12.94	7.96
825	13.19	8.21
850	13.44	8.46

B

B

A

A

DRAWING REVISION D	REVISION BY AS	DATE 10/26/16
ECO ECO-0111918	APPROVED BY JD	DATE 10/26/16
ECO DESCRIPTION ADDED ITEM #825		
<small>COPYRIGHT REGAL BELOIT AMERICA, INC. ALL RIGHTS RESERVED.                  PROPRIETARY AND CONFIDENTIAL INFORMATION - THIS DOCUMENT IS THE PROPERTY OF                  REGAL BELOIT AMERICA, INC. (OWNER) AND CONTAINS OWNER'S PROPRIETARY                  INFORMATION. ANY PERSON, CORPORATION OR OTHER FIRM RECEIVING IT IS DEEMED,                  BY RECEIVING IT, TO AGREE THAT IT, AND/OR ANY PART OF IT, SHALL NOT BE DISCLOSED                  TO ANY PERSON, CORPORATION OR OTHER ENTITY, DUPLICATED, AND/OR USED, EXCEPT                  AS EXPRESSLY APPROVED IN WRITING IN ADVANCE BY OWNER. THIS DOCUMENT SHALL                  BE RETURNED TO OWNER UPON REQUEST. IT MAY BE SUBJECT TO CERTAIN                  RESTRICTIONS UNDER APPLICABLE EXPORT CONTROL LAWS AND REGULATIONS.</small>		

TOLERANCES UNLESS OTHERWISE SPECIFIED:			
DEC.	INCH	mm	ANGLE
.X	±0.1	[±2.5]	±0.5°
.XX	±0.01	[±0.25]	
.XXX	±0.005	[±0.127]	
.XXXX	±0.0005	[±0.0127]	
REMOVE BURRS & BREAK SHARP			
EDGES: .003/.015 [.076/.381] X 45°			
CORNER FILLETS: R.02 [.51]			
MACHINED SURFACES: 125/3.2			
mm SHOWN IN [BRACKETS]			

DRAWN BY LST 1/9/09
DATE
APPROVED BY
DATE
REFERENCE
THIRD ANGLE PROJECTION

Regal Beloit America, Inc.	
DESCRIPTION	<b>OUTLINE</b> TEFC "C" FACE
MATERIAL	PROCESS/FINISH
SIZE B	DRAWING NUMBER 028943
SHEET 1 OF 1	

4

3

2

1

VIEW FROM OUTSIDE OF MOTOR AT SWITCH END.



VOLTAGE	L1	L2	L3	JOIN & INSULATE
HIGH	T1	T2	T3	(T4,T7) (T5,T8) (T6,T9)
LOW	T1,T7	T2,T8	T3,T9	T4,T5,T6

		TOLERANCES UNLESS SPECIFIED		MARATHON ELECTRIC		DRAWN RDW 04/12/02	
		DEC.	INCHES			CHK	
		.X	±.1			APPD	
		.XX	±.01	TITLE		SCALE 1=1	
		.XXX	±.005	EXTERNAL WIRING DIAGRAM 3 PHASE W/O PROTECTOR		REF FIG.2-51	
		.XXXX	±.0005	MAT'L.		FMF	
				DECAL - 004014		PREV	
NO.	REVISION	BY & DATE	CHK	ANG	±1/2'	FINISH	
			RFP	04/12/02		CAD FILE	00501001ME
			DIST			SIZE	A
						DRAWING NO.	005010-01ME
						REV.	

THIS DRAWING IN DESIGN AND DETAIL IS OUR PROPERTY AND MUST NOT BE USED EXCEPT IN CONNECTION WITH OUR WORK ALL RIGHTS OF DESIGN AND INVENTION ARE RESERVED THIS IS AN ELECTRONICALLY GENERATED DOCUMENT - DO NOT SCALE THIS PRINT



Data Sheet

56117W99034



Submital

Data @ 460 V

Date: 1/22/2019

Customer:   
 Attention: FAREEDA DUDEKULA

Submitted by: FAREEDA DUDEKULA

Motor Load Data

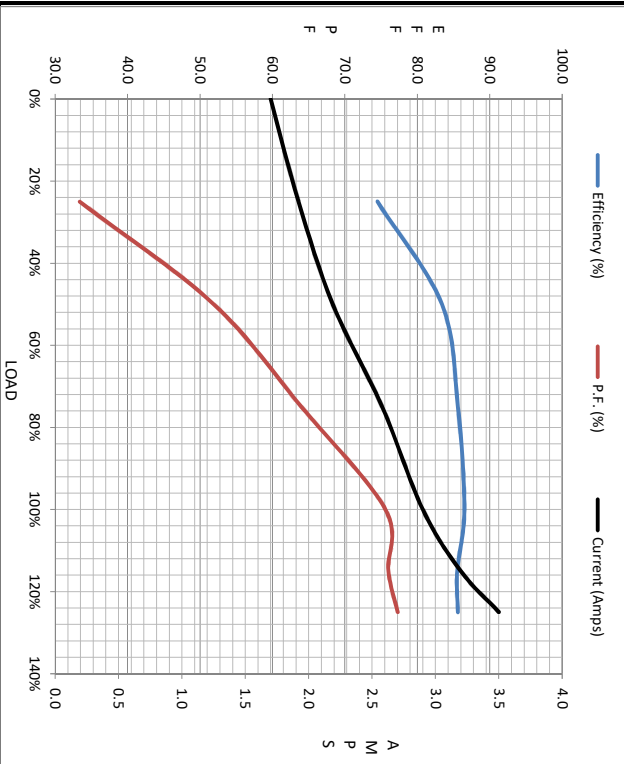
Load	0%	25%	50%	75%	100%	115%	125%	LR
Current (Amps)	1.70	1.92	2.19	2.58	2.90	3.2	3.5	26.5
Torque (ft-lb)	0.00	1.50	3.0	4.5	6.0	6.5	7.5	18.8
RPM	1800	1787	1774	1763	1751	1,730	1732	0
Efficiency (%)		74.5	83.4	85.6	86.5	85.5	85.6	
P.F. (%)	7.1	33.4	51.9	64.0	75.6	76.0	77.3	42.0

Motor Speed Data

	LR	Pull-Up	BD	Rated	Idle
Speed (RPM)	0	775	1085	1751	1800
Current (Amps)	26.5	24.4	14.2	2.90	1.70
Torque (ft-lb)	18.8	15.0	24.6	6.0	0.00

Information Block

HP	2.0			
Sync. RPM	1800			
Frame	56			
Enclosure	TEFC			
Construction	TS			
Voltage	230/460#190/380 V			
Frequency	60 Hz			
Design	B			
LR Code letter	L			
Service Factor	1.15			
Temp Rise @ FL	53 °C			
Duty	CONT			
Ambient	40 °C			
Elevation	3300 feet			
Motor/Shaft wk <sup>2</sup>	0.16 Lb-Ft <sup>2</sup>			
Ret Wdg	T634340 FR			
Sound Pressure @ 1M	65 dBA			
VFD Rating	CONSTANT 3:1			
Outline Dwg	028943-825			
Conn. Diag	005010.01ME			
Additional Specifications:				
0				
0				
R1	R2	X1	X2	Xm
0.0000	0.0000	0.0000	0.0000	0.0000



Speed - Torque Curve

